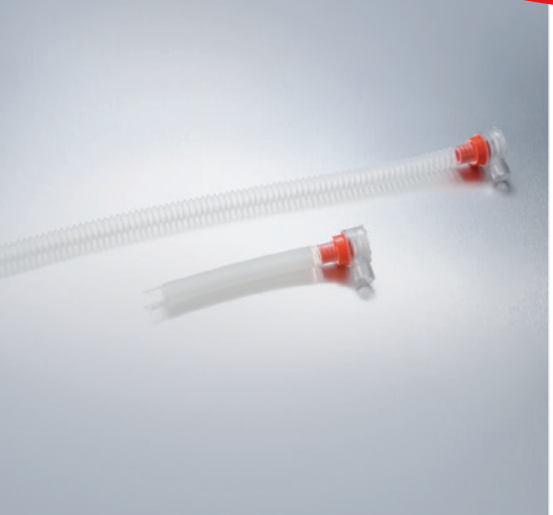




SAVES SPACE. SAVES LIVES.

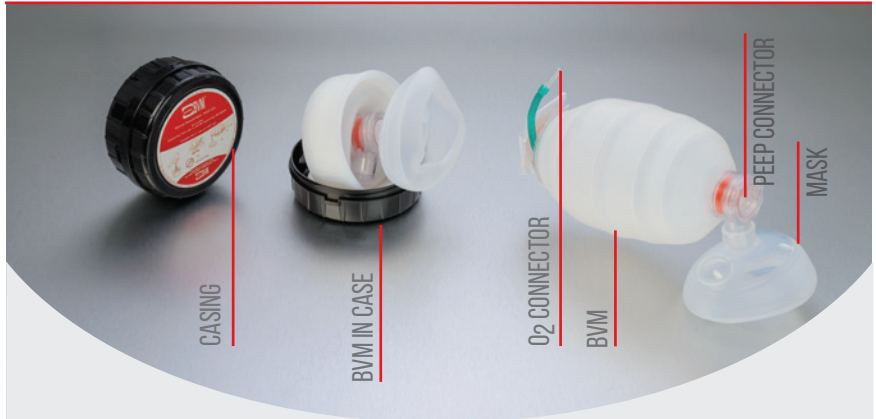


THE POCKET BVM

THE MOST COMPACT BVM ON THE MARKET

ADVANTAGES OF THE POCKET BVM

- **Saves 75% in space** compared to a standard BVM
- Proven in military and civilian emergencies
- Robust package that withstands tough conditions
- Can be easily passed from one paramedic to another
- Top quality materials for top performance



Pocket BVM

The Pocket BVM is the most compact BVM on the market and saves up to 75% in space compared to standard BVMs, freeing up room for more lifesaving equipment.

Casing: The Pocket BVM is unique since it can collapse into a small and very robust case. The dimensions of the case are 6.3 cm/2.2" (height) x 13.4 cm/5.2" (diameter).

BVM: A disposable, full 1.6 Liter Adult BVM that delivers up to 400-600 cc of air. It is made from the highest quality of materials which ensures flawless performance.

Mask: A highly transparent mask that provides a clear view of the treatment. It delivers a proper seal with each use.

Connectors: Positive End Expiratory Pressure (PEEP) compatible. All of the connectors conform to industry safety standards.

SAVES UP TO 75% IN SPACE



“ Since the Pocket BVM is so much smaller, we can carry an extra kit and provide a higher level of care ”

GARY EVES
Paramedic / Director Community Paramedics



Pocket BVM with O₂ Tubing

The Pocket BVM with O₂ tubing comes with a 2 meter / 6' 6" oxygen tube which enables practitioners to quickly hook up to an oxygen source.



Pocket BVM Tactical

The Pocket BVM Tactical is highly discreet - its balloon is black and it doesn't reflect light.

POCKET EXT TUBE

The Pocket EXT Tube is a real game changer in the field of airway management. It is the only tube on the market that can extend from 23 cm/9" to 75 cm/30" and provide unprecedented treatment flexibility.

Secure airway: Once an endotracheal tube (ETT) or an LMA has been inserted and secured, the Pocket EXT tube protects it from unwanted extubation.

Easy transport: The Pocket EXT tube enables safe and easy transport of intubated patients (for example on a military stretcher or a wheeled stretcher).

No dead space: The T connector prevents any air from flowing back into the tube. All of the air enters the patient's lungs and cannot re-enter the EXT Tube or the BVM.

Treatment flexibility: The Pocket EXT can be extended from 23 cm/9" to 75 cm/30", allowing ventilation from a distance.

Universal: The Pocket EXT can be used with any BVM on the market.

Increased safety: The provider can ventilate the patient while securely sitting in the chair of the rescue vehicle.



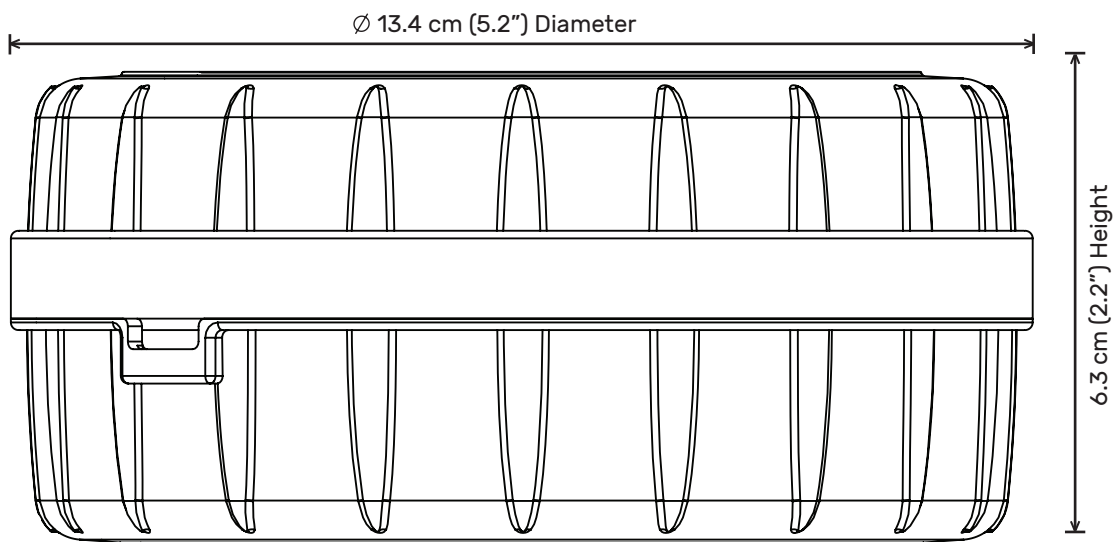
ABOUT MICRO BVM

Micro BVM™ is an expert in the design and manufacture of emergency field medical equipment. The company was founded by paramedics with a deep understanding of the needs of the market and a desire to create superior emergency products that save space and lives. Micro BVM's flagship product, the Pocket BVM™ has become the BVM of choice for military forces around the world and has been adopted by a wide variety of EMS providers - from remote rescue teams to commercial airlines.

Pocket BVM Specifications

The body mass range for which the resuscitator is suitable for use	>40 kg (88 lbs.)
Dead space	<6 ml
Expiratory resistance	3.4 cm H2O
Inspiratory resistance	-4.5 cm H2O
Delivered oxygen concentrations under various test conditions	55% (at 2 L/min) to 100% (at 8 L/min)
External dimensions of the resuscitator	217mm (length) x 121mm (diameter)
External dimensions of resuscitator in case	63/73mm (high) x 134mm (diameter)
Mass of the resuscitator, face mask and the resuscitator case	Resuscitator 273 g Case. 90 g, Mask 87 g, Total 450 g
Bag reservoir volume	2600 ml
Gas inlet tube connection	15mm length x 6mm O.D.
Patient connector	Outside: 22 mm male (ANSI/ISO) Inside: 15 mm female (ANSI/ISO)
Expiratory connector (for PEEP valve attachment)	30 mm male (ISO)
Recommended operating temperature	0°F to +122°F (-18°C to +50°C)
Recommended Storage temperature	Tested at -40°F and +140°F (-40°C and + 60°C) according to EN ISO 10651-4:2002

1:1
Actual Size
of Pocket BVM



SAVES SPACE. SAVES LIVES.

For more information contact us at:
info@microbvm.com
www.microbvm.com

